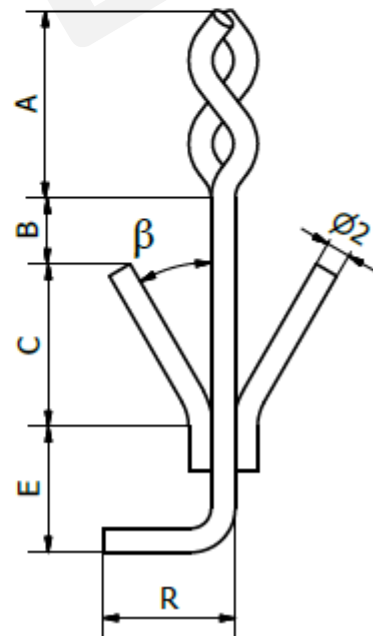
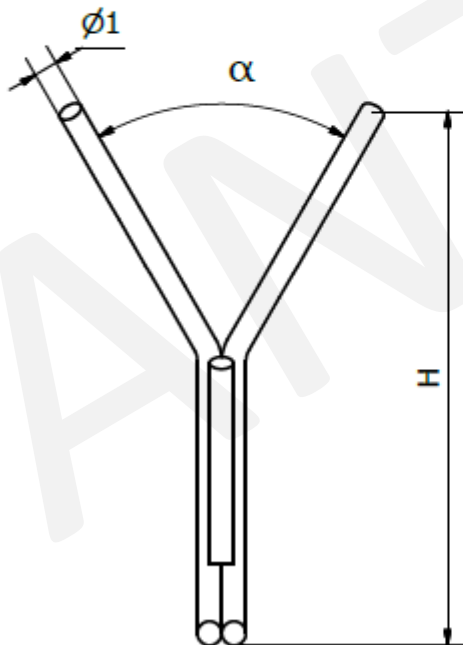
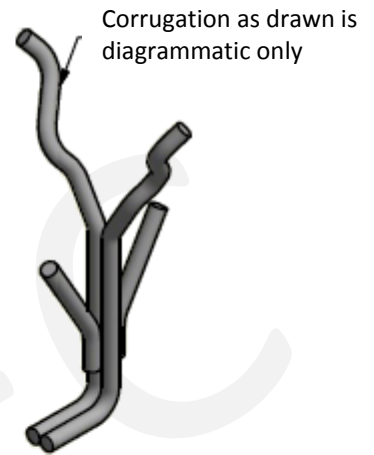
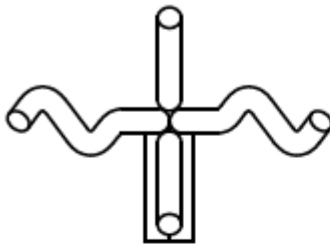


# AN 17

## YD2X Anchor



All items can be manufactured in various alloy steels

Tolerances:

+/- 3mm on Dimensional

+/- 3° on Angular Dimensions

Unless otherwise noted