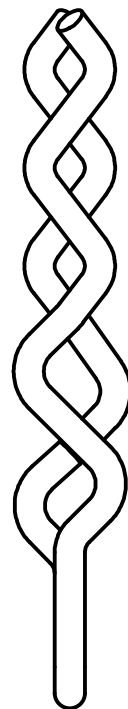
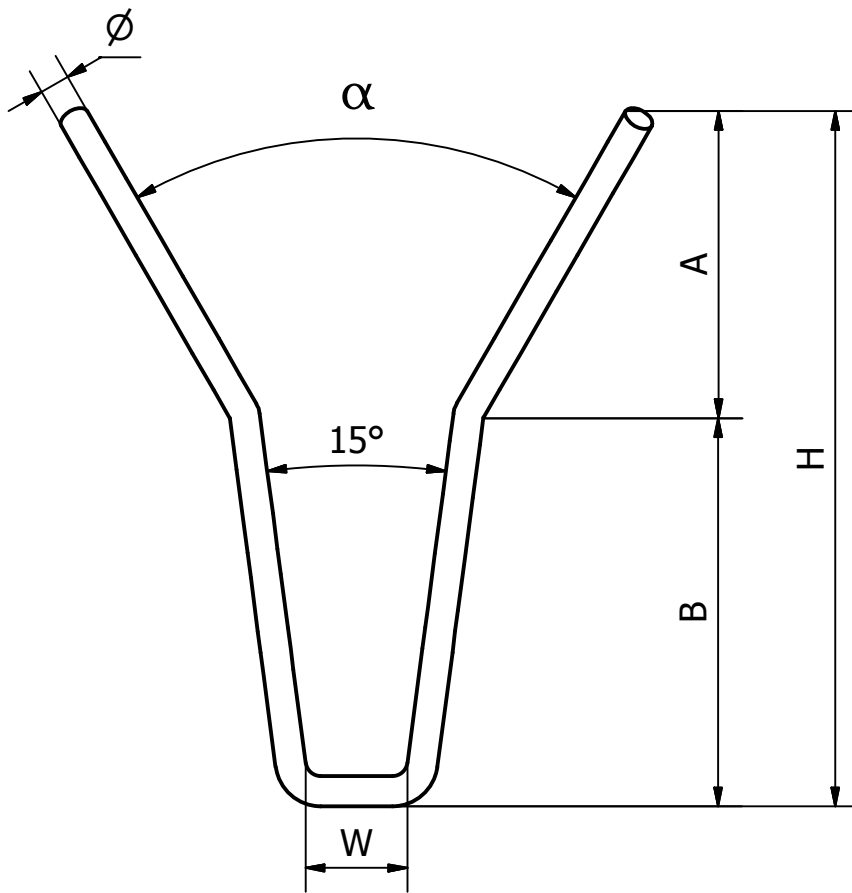
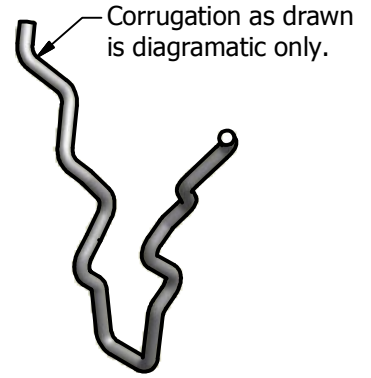
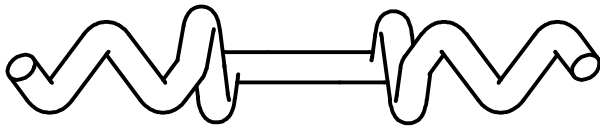


PRODUCTION DRAWING



All items can be manufactured in various alloy steels

Tolerances:

± 3mm on Dimensional

± 3° on Angular Dimensions

Unless otherwise Noted.

FCY ANCHOR					
H	A	B	W	α	φ



9 Chicago Avenue, Blacktown (Sydney)
 NSW 2148 Australia
 PH: (+612) 9622 9622 - FAX: (+612) 9622 9199
 Web: www.antec.com.au
 Email: antec@antec.com.au

Drawing Name:

FCY ANCHOR

Revision#

A

Drawing No:

AN 8 A

This Drawing is the property of Antec Engineering Pty Ltd and is supplied on the understanding it is not to be used for any purpose, copied or communicated to any other person without written permission of the proprietor. All rights are reserved for product design concept. Antec products are guaranteed to conform within normal commercial tolerance of the applicable description furnished and to be manufactured from material as specified. No other guarantees or warranty, including warranty for fitness of products for in service operating condition shall exist in connection with sale of Antec products. Heat treatment after manufacture is not included unless specified.